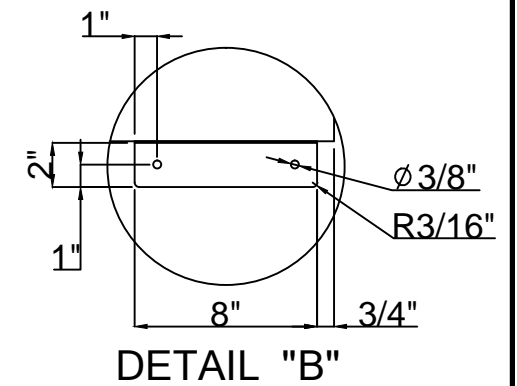
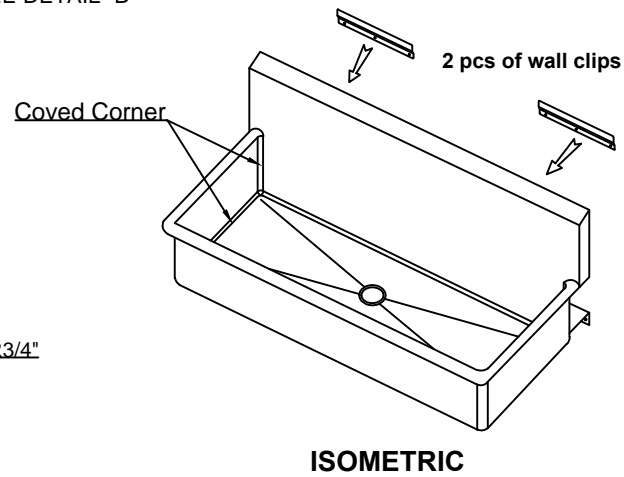
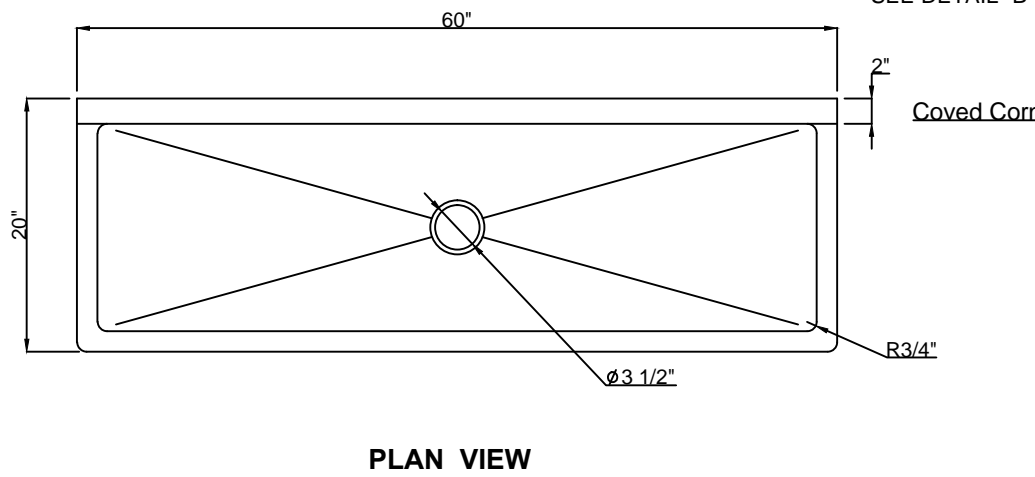
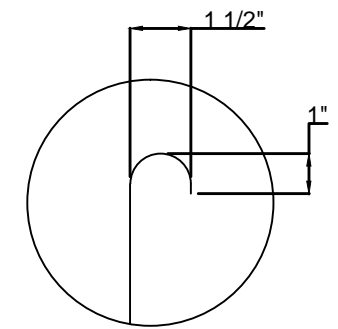


● 16GA. 304 Stainless steel Construction.



DRAWN FOR :	MAT. TOP : 16GA. 304S/S. BASE :	DATE	REVISIONS	<p>Tarrison Products Ltd.</p>
REF. NO :	REQ'D/ITEM :			
ITEM NAME : Trough Sink to be Coved Corner (No Faucet Hole)	DATE : Nov/ 29 / 2021			
PROD. NO. : TA-TS2060CC-KIT	BY :			
SCALE: 1/2" =1'-0"	CHECKED BY :			